

## BIOMETRIC DEVICE

### A110Series(A110LT)



#### Authentication distance

40cm~ 100cm/Auto Focus&Tilt



#### Authentication method&speed

Iris(Single,either,both)/RFID/PIN  
Within 1sec after capture iris



#### Store iris template

Up to 10,000



#### False acceptance Rate

1 in 1,000,000,000



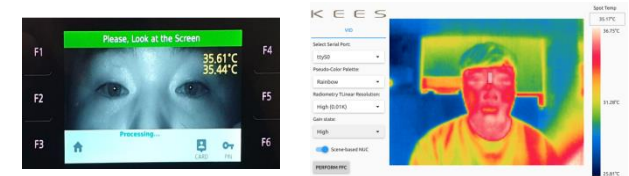
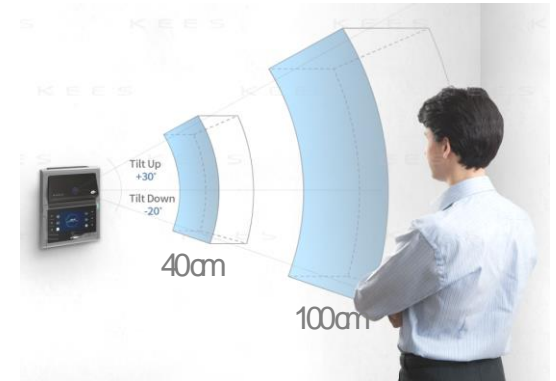
#### Interface

4.3" TFT LCD, USB2.0,10/100 BASE -T  
Wifi Wiegand, RS232/485,Indicator LED



#### Options

A110L: Auxiliary LED Lighting support  
A110LT: LED Lighting + Thermal support

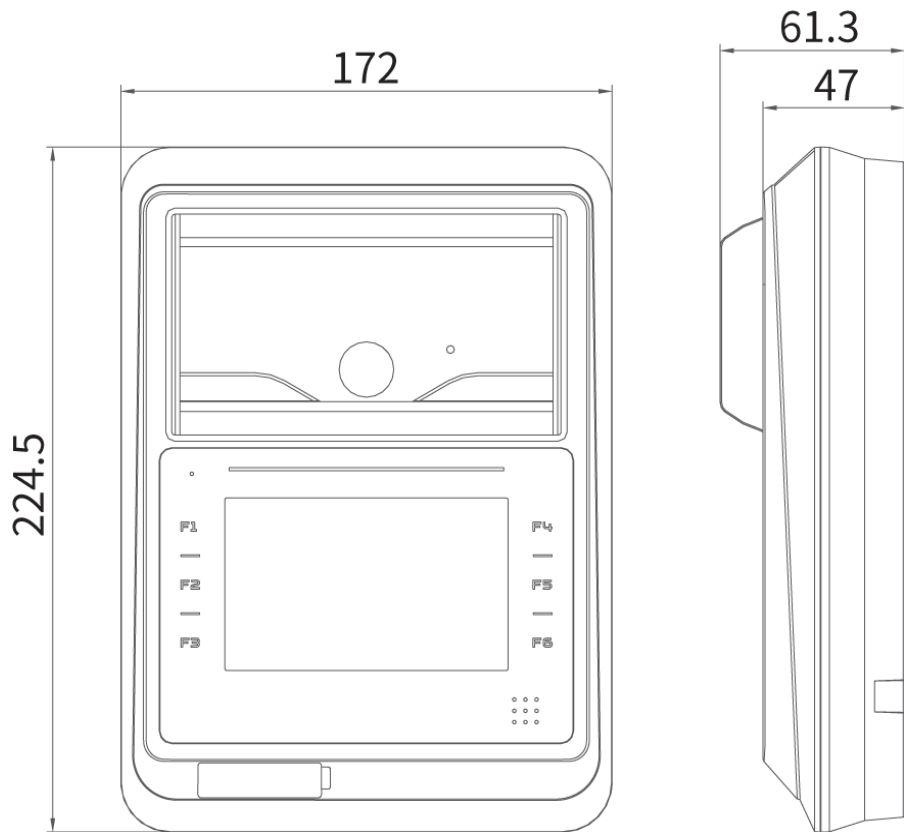


Auxiliary Light



Auxiliary Light

## BIOMETRIC DEVICE (A110 Series) Specification & Dimension



## Specification

General	
Firmware platform and OS	Arm Cortex A9 Quad Core/Linux
Mounting height	130cm
Authenticate height range	145cm~210cm (standard on user height)
Authenticate distance range	40cm~100cm
Integration	SDK available (API)
Encryption	server communication: TLSv1/SSLv3, 1 WAY, ECDHE-RSA-AES256-GCM SHA384 DB: AES CBC-256bit/ARIA Support
Authentication	
Authentication methods	Iris(Single Iris, either eye,etc), Pin number, RFID(option)
Authentication speed	< 1 sec ( after user's eyes are placed within capture volume )
FAR	1 in 1,000,000
Store iris template	Up to 10,000
Functions	
Iris image output	Meets ISO 19794-6 2011 iris imaging standards
Iris image sensor	3840 x 2160 pixels, 10 bit depth
Iris camera lens	5xZoom
Face image sensor	1MP, 1280 x 720 pixels
IR Wavelengths of Iris Capture	wavelengths of 810 nm
Thermal camera resolution	80X60 pixel
Thermal sensitivity	<50mK (0.050°C)
Thermal spectrum	LWIR(Longwave IR), 8µm to 14µm
Thermal status output	LCD(Temperature display)
Auxiliary light	5,000k, Brightness level control
Auto tilt	+30°/-20°
Visual indicators on the LCD.	Red: within 40cm / Green: 40~100cm / Blue: out of 100cm
Audio	2.0W speaker
LCD	4.3" TFT LCD(800X480), Capacitive touch screen
Tamper detection	Tamper (Product separation detection)
Voice guidance	Yes(English , Korean, Chinese)
relay	relay x2
GPIO	TTL INPUT x 4(TTL Input_DC5V)
Other ports	USB 2.0
RF Card	13.56Mhz Mifare/Felica(option)
Communication	
Ethernet	10/100 Base-T Ethernet (RJ45 connector)
Wiegand In/Out	Input 1ch, Output 1ch
RS-232	1ch
RS-485	1ch
Power	
Power input	DC12V(±10%)
Power consumption	DC12V(±10%) Max. 2.2A
Physical and Temperature	
Dimension(mm)	163(W)X224.5(H)X61(D)mm
Weight	Weight 1150g
Operating Temperature	32°F~113°F (0°C~45°C)
Storage Temperature	-4°F~140°F (-20°C~60°C)
Humidity	10%~90% Relative Humidity Non-Condensing
Mounting	Flush or Surface mounting
Certificates	CE, FCC(TBD), KC certified