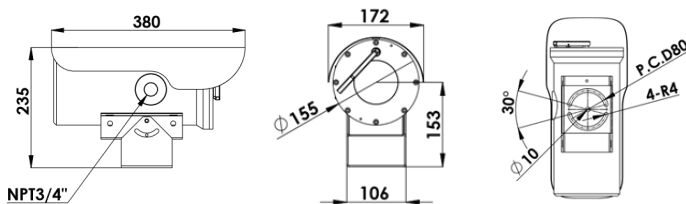


# IVEX-FZ-30



## Dimensions

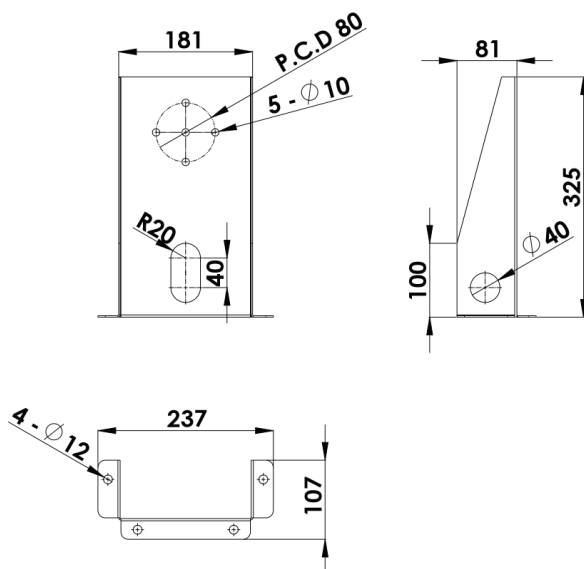


## Product Summary

- Ex Certificates : IECEX / ATEX / KCs / NEPSI
- ECEX : Ex d IIC T6 Gb, Zone 1 & 2  
Ex tb IIIC T85°C Db, Zone 21 & 22
- EMC Certification : CE / FCC / KC
- Extreme Operation Temperature : -40°C ~ +67°C
- Pan/Tilt Range : ±60°(Manual) ±45°(Manual/Protractor)
- AISI 316L Stainless Steel Construction
- Whole System Molding Structure without Welding
- IP67 Protection Degree
- Cable Outlet : 1 EA(3/4" NPT)
- Option : Wiper / Fan / Heater / Window Demister
- 1/1.9" High Sensitivity Minimum illumination CMOS Sensor
- Optical x36(6~216mm) Zoom & Digital x32 Zoom
- Video Output : Network
- Option : HDSDI / CVBS
- Support ONVIF

## Major Specifications

Model Name		IVEX-FZ-30
MECHANICAL PART	Material of Body	AISI 316L Stainless Steel(Electro-polished End)
	Material of Window Glass	Fully Tempered Plate Glass
	Ex Certification	IECEX / ATEX / KCs / NEPSI / CE / FCC / KC
	Ex Grade	Ex d IIC T6 Gb, Zone 1 & 2 Ex tb IIIC T85°C Db, Zone 21 & 22
	Protection Degree	IP67
	Operation Temperature	-40°C ~ 67°C
	Operation Humidity	Less than 90%RH
	Size	380(L) x 162(W) x 234(H) mm
	Weight	Approx. 10 kg
	Input Voltage	DC12V, 50/60Hz
	Travel Range	±60°(Manual) / ±45°(Manual/Protractor)
Cable Outlet	1 EA(3/4" NPT)	
Wiper/Fan/Heater Window defroster	Option	
CAMERA PART	Image Sensor	1/1.9" Sony CMOS Sensor
	Effective Pixels	1937(H) x 1097(V)=2.12M Pixels
	Resolution	1920 x 1080p
	Scanning System	Progressive Scan
	Lens	F = 6.0mm~216 mm / F1.5(wide)~F4.8(tele)
	D/H/V	D : 67.0°(W)~2.3°(T) / H : 60.0°(W)~2.0°(T) / V : 36.0°(W)~11.1°(T)
	Zoom	Optical x36 & Digital x32
	Minimum illumination	Color : 0.5Lux / BW : 0.1Lux / Color DSS(1/7.5s) : 0.125Lux / BW DSS(1/7.5s) : 0.025Lux
	Day & Night	Auto / Day / Night
	White Balance	Auto / One Push / Manual / Indoor / Outdoor
	WDR	Off / WDR / BLC / HLC
	AGC	Off / On
	DNR	Auto / Off / Low / Middle / High
	Defog	Off / On(Auto / Manual)
	Digital Slow Shutter	Off / x2 / x4
	Digital Image Stabilizer	Off / On
	Video Streaming	H.264 / H.265 / MJPEG
	Streaming Capability	Primary : H.264 Secondary x3 : H.264 / MJPEG
Access	Ethernet 10 / 100 / 1000base-T(RJ-45)	
IP	IPv4 / IPv6	
Protocol	TCP/IP, UDP/IP, RTP(UDP), RTP(TCP), RTCP, RTSP, NTP, HTTP, HTTPS, SSL, DHCP, PPPoE, FTP, SMTP, ICMP, IGMP, SNMPv1/v2/v3(MIB-2), ARP, DNS, DDNS	
ONVIF	Support	

**IVEX-FZ-WB****Dimensions****Major Specifications**

Model Name	IVEX-FZ-WB
Material	AISI 316L Stainless Steel
Load rating	30 Kg(66.14 lb)
Size	181(W) x 107(H) x 325(L) mm
Model application	IVEX-FZ Series
Weight	2 kg(4.4g)