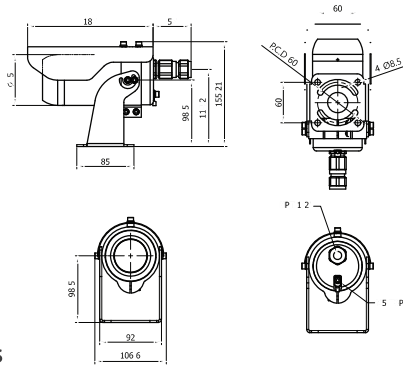


# IVEX-PL-3011RA



## Dimensions



## Major Specifications

## Product Summary

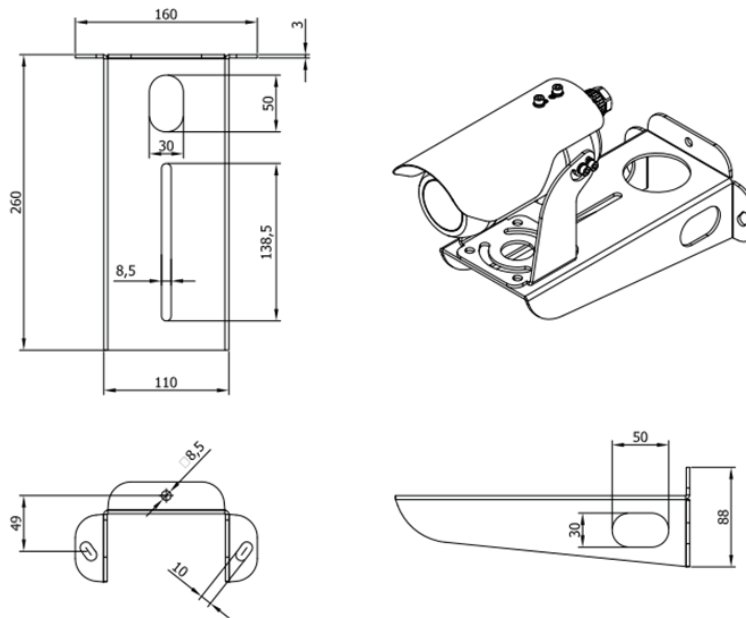
- EX Certificates : IECEx / ATEX / JPEX / NEPSI / KCs
- IECEx : Ex d IIC T6 Gb(Zone 1 & 2), Ex tb IIIC T85°C Db (Zone 21 & 22)
- ATEX : II2 G, Ex d IIC T6 GB(Zone 1 & 2), Ex tb IIIC T85°C Db(Zone 21 & 22)
- KCs : Ex d IIC T6, Ex tb IIIC T85°C
- EMC Certification : CE / FCC / KC
- Extreme Operation Temperature : -25°C ~ +65°C
- AISI 316L Stainless Steel Construction / Electro-polished
- IP66 Protection Degree
- Cable Outlet : 1 EA(NPT 1/2")
- 1/2.8" Sony STARVIS CMOS
- ONVIF Support
- 0.03 Lux Minimum illumination
- PoE Class 3(IEEE 802.3af) Support
- Explosion proof Cable glands All-in-one

Model Name		IVEX-PL-3011RA
MECHANICAL PART	Material	AISI 316L Stainless Steel / Electrolytic Polishing
	Window Material	Fully tempered plate glass
	Ex Certification	IECEx / ATEX / JPEX / NEPSI / KCs / CE / FCC / KC
	Ex Grade	Ex d IIC T6 Gb, Zone 1 & 2 Ex tb IIIC T85°C Db, Zone 21 & 22
	Protection Degree	IP66
	Operation Temperature/Humidity	-25°C ~ +65°C / Less than 90% RH
	Size	107.2(W) x 148(H) x 187(L) mm
	Weight	Approx. 3 kg
	Input Voltage	PoE Class 3(IEEE 802.3af)
	Cable Outlet	1 EA(NPT 1/2")
CAMERA PART	Image Sensor	1/2.8" Sony STARVIS CMOS
	Effective Pixels	2 Megapixel
	Angle of View	100° ~ 33°(H)
	Lens	2.7 ~ 12 mm
	Minimum illumination	0.03Lux
	Wide Dynamic Range	True WDR
	Day & Night Mode	True Day & Night (Auto, Day, Night)
	Privacy Zone	On / Off (16 Programmable Zone)
	Motion Detection	432 zone, Sensitivity 1 ~ 5 Step, On/Off
	DNR	2DNR, 3DNR
	Resolution	1920x1080, 1440x1080, 1280x1024/720, 1024x768 800x600/480, D1, 640x480, 400x240, CIF
	Frame Rate	Max 30/25 fps(NTSC/PAL)
	Streaming	Triple Stream (H.264/H.265/MJPEG)
	Compression	H.264 / H.265 / MJPEG
	Simultaneous Access	Max. 10 User
Connector	Ethernet 10/100/1000base-T(RJ-45)	
Network Protocol	TCP/IP,UDP/IP,RTP,RTSP,RTCP,NTP, HTTP,DHCP,FTP,SMTP,DNS,DDNS	
ONVIF	Support (Profile-S)	

# IVEX-PL WB



## Dimensions



## Major Specifications

Model Name	IVEX-PL WB
Material	AISI 316 Stainless Steel
Load rating	10 Kg(22.04 lb)
Size	160(W) x 96(H) x 260(L) mm
Model application	IVEX-PL Series
Weight	Approx. 1.2 Kg