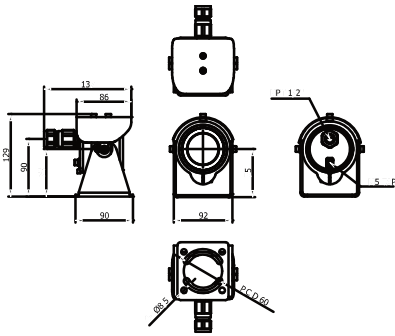


IVEX-PLs-3001R



Dimensions



Major Specifications

Product Summary

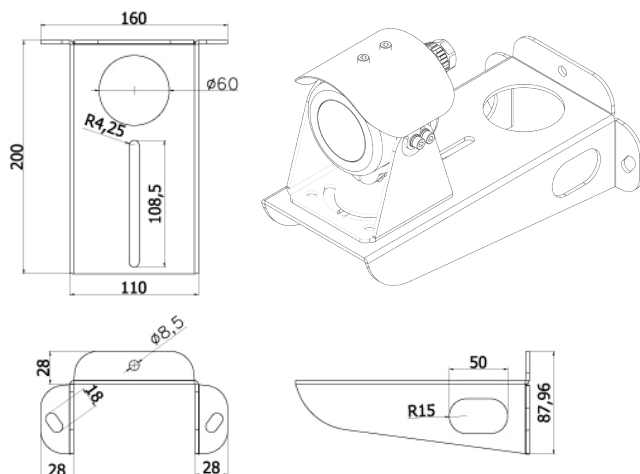
- Ex Certificates : IECEx / ATEX / JPEX / KCs / NEPSI
- IECEx : Ex d IIC T6 Gb(Zone 1 & 2), Ex tb IIIC T85°C Db(Zone 21 & 22)
- ATEX : II2 G, Ex d IIC T6 GB(Zone 1 & 2), Ex tb IIIC T85°C Db(Zone 21 & 22)
- KCs : Ex d IIC T6, Ex tb IIIC T85°C
- Extreme Operation Temperature : -25°C ~ +64°C
- AISI 316L Stainless Steel / Electro-polished
- IP66 Protection Degree
- Cable Outlet : 1 EA(1/2" NPT)
- Full HD 2M / Fixed Lens Camera
- PoE Class 3(IEEE 802.3af) Support
- Explosion proof cable glands all-in-one

Model Name		IVEX-PLs-3001R
MECHANICAL PART	Model	IVEX-PLs-3001R
	Material	AISI 316L Stainless Steel / Electro-polished
	Window Material	Fully Tempered Plate Glass
	Ex Certification	IECEx / ATEX / KCs / JPEX / NEPSI / CE / FCC / KC
	Ex Grade	Ex d IIC T6 Gb, Zone 1 & 2 Ex tb IIIC T85°C Db, Zone 21 & 22
	Protection Degree	IP66
	Operation Temperature/Humidity	-25°C ~ +64°C / Less than 90%RH
	Size	120(W) x 129(H) x 92(D) mm
	Weight	Approx. 1.8 kg
	Input Voltage	PoE Class 3(IEEE 802.3af)
Cable Outlet	1 EA(1/2" NPT)	
CAMERA PART	Image Sensor	1/2.8" Sony STARVIS CMOS
	Effective Pixels	2 Megapixel
	Lens/ Angle of View	2.9mm / 97°(H) Option : 3.7mm(89°), 2.6mm(107°)
	Minimum illumination	0.08Lux
	Wide Dynamic Range	True WDR
	Day & Night Mode	True Day & Night (Auto, Day, Night)
	Resolution	1920x1080, 1440x1080, 1280x1024/720, 1024x768 800x600/480, D1, 640x480, 400x240, CIF
	Frame Rate	Max. 30/25 fps(NTSC/PAL)
	Streaming	Quad Stream (H.264/H.265 x 3 / MJPEGx1)
	Bit rate control	CBR / CVBR
	Compression	H.264(Baseline/Main/High Profile) / H.265(Main Profile) / MJPEG
	Smart Codec	Hi-Stream
	Connector	Ethernet 10/100/1000base-T(RJ-45)
	Network Protocol	TCP/IP, UDP, IPv4/v6, HTTP, HTTPS, QoS, FTP UPnP, RTP, RTSP, RTCP, DHCP, ARP
	ONVIF	Support

IVEX-PLs-WB



Dimensions



Major Specifications

Model Name	IVEX-PLs WB
Material	AISI 316 Stainless Steel
Load rating	10 Kg(22.04 lb)
Size	160(W) x 96(H) x 200(L) mm
Model application	IVEX-PLs Series
Weight	Approx. 700 g