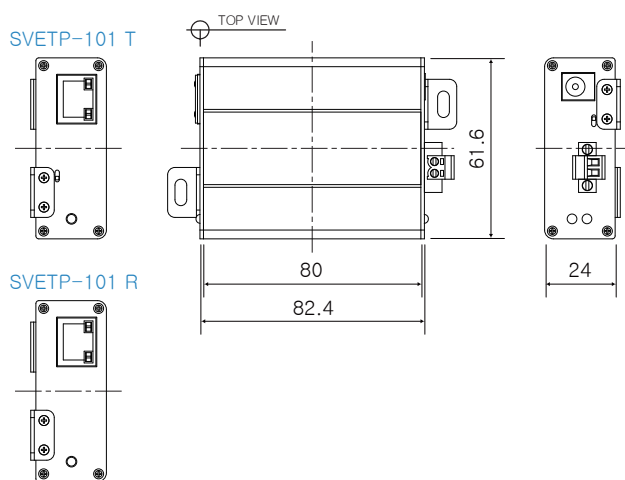


SVETP-101T/R ▶ Single Port Ethernet over 2-Wire Transmitter / Receiver



Dimension



Specification

Model		SVETP-101T	SVETP-101R
Interface	EoC Signal	1 * 2-Pin Terminal Block-Ethernet over 2-Wire cable	
	Ethernet	RJ45 - 10/100 Base-T with Auto-detect MDIX	
Transmission Rate		100Mbps Full Duplex	
Transmission distance	Ethernet	Up to 300m (1 Pair of Cat.5e)	
	PoE (PoC)	Up to 300m (1 Pair of Cat.5e / 7W Camera)	
LED Indication	Ethernet	1 - Link / Act (Green) / 1 - PoE (Yellow)	
	EoC	1 - Link (Green) / 1 - Act (Yellow)	
	Power	1 - Power On(Blue)	
Power	Input	DC12V~DC57V	
	PoE Output	IEEE802.3af (PoE), IEEE802.3at (PoE+), Extra PoE up to 60W	PoE Not Supported PoC Only
	PoE Input	Not Supported	Up to 25.5W (PD)
Mechanical	Dimension	82.4(L) x 61.6(W) x 24(H)mm	
	Weight	70g	
Environment	Operating Temp.	-20 ~ 60°C	
	Storage Temp.	-30 ~ 80°C	
	Relative Humidity	10% ~ 90%	
Compliance	Certification	FCC, CE, KC	
	Surge Protection	IEC 61000-4-5 4kV(1.2 / 50us), 2kA(8 / 20us)	
Optional Accessories		56VDC / 1.2A External Power Supply	

Overview

SVETP-101T/R is a High-Speed, long distance Ethernet & PoE extender that makes possible to transmit the 100Mbps Ethernet signal and PoE up to 300m via 2-Wire cable (Twisted pair cable, COM, Power line) in different situations.

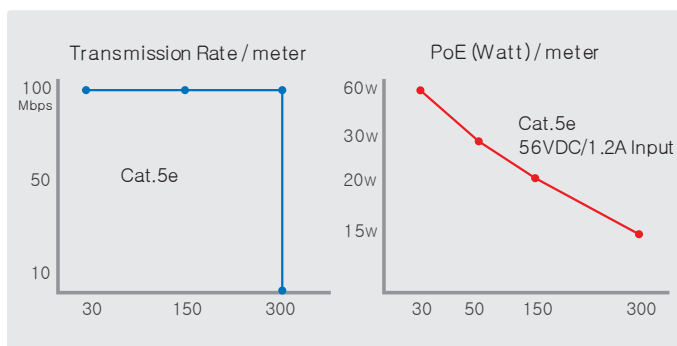
It is cost-effective and time saving solution to migrate existing analog system to IP based system since SVETP-101T/R supports easy installation utilizing the existing cable.

With long distance transmission feature, the device makes to overcome 100 meters distance limitation easily and reduces the construction cost significantly.

Features

- Ethernet Extension over 2-Wire Cable (Twisted Pair, COM, Alarm, Power line, etc.)
- Data + Power over 2-Wire cable
- Data & PoE distance up to 300m (Twisted Pair)
- Max. 100Mbps Bandwidth
- 10/100 Full Duplex
- Multicast Supported
- PoE, PoE+, Extra PoE (Max. 60W output)
- Quality LED (Data, Power, Link, PoE)
- Plug & Play
- Support PoE+ Input (25.5W) from PSE devices - SVETP-101R Only
- Compact Design

Performance chart



Connection Diagram

