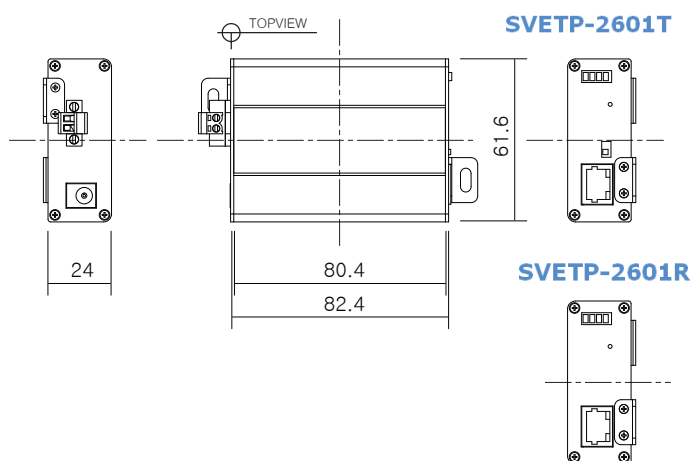


SVETP-2601T/R ▶ Premium Single Port Ethernet over 2-Wire Transmitter / Receiver



Dimension



Specification

Model		SVETP-2601T	SVETP-2601R
Interface	2-Wire	2-Pin Terminal Block - Ethernet over 2-Wire (T-LinX)	
	Ethernet	RJ45 - 10/100 Base-T with Auto-detect MDIX	
Transmission Rate		95Mbps Full Duplex (270Mbps between Intercoax 2 series models)	
Transmission Distance	Ethernet	up to 1000 m(Twisted Pair Cable/Cat.5e)	
	PoE (PoC)	up to 1000 m (Cat.5e / 57VDC Input / 7W camera)	
LED Indication	Ethernet	1 - Data-Link (Yellow)	
	Data over 2-Wire	1 - Join-Link (Green)	
	Power	1 - Power On (Amber)	
	PoE Output	1 - PoE Out (Red)	
Encryption		128-bit AES	
Power	Input	T-LinX or DC12V~57V	PoE Switch or DC48V~57V
	PoE Output	IEEE802.3af(PoE), IEEE802.3at (PoE+), Extra PoE up to 60W	PoE Not Supported Power Over 2-Wire Only
Mechanical	Dimension	82.2(L) x 61.6(W) x 24(H)mm	
	Weight	102g	
Environment	Operating Temp	-20 ~ 60°C	
	Storage Temp	-30 ~ 80°C	
	Relative Humidity	10% ~ 90%	
Compliance	Certification	FCC, CE, KC	
	Surge Protection	IEC 61000-4-5 4kV(1.2 / 50us), 2kA(8 / 20us)	
Optional Accessories		56VDC / 1.2A External Power Supply	

Overview

SVETP-2601 Series are High-Speed, long distance Ethernet & PoE extender that makes possible to transmit the Ethernet signal and PoE via 2-Wire cable (Twisted pair cable, COM, Power line) in different situations.

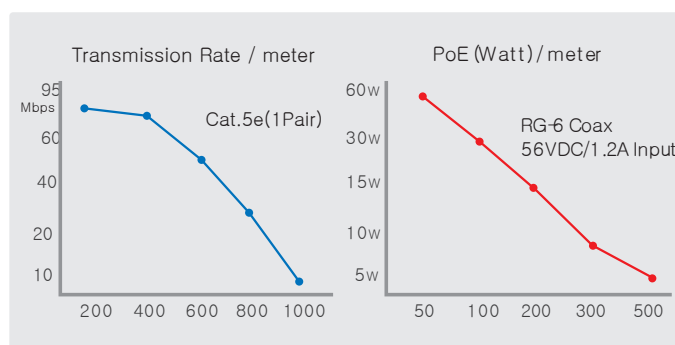
It is cost-effective and time saving solution to migrate existing analog system to IP based system since SVETP-2601 supports easy installation utilizing the existing cable.

With long distance transmission feature, the device makes to overcome 100 meters distance limitation easily and reduces the construction cost significantly compared with fiber optic configuration.

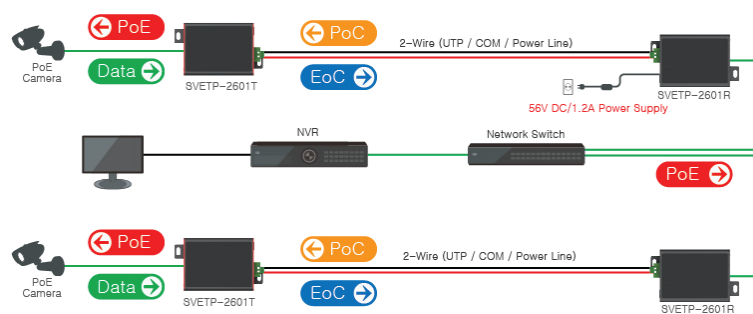
Features

- Ethernet over 2-Wire communication following IEEE1901 Standard
- Data + Power over 2-Wire cable (UTP, COM, Power Line, etc.)
- Supports long distance Untwisted/Twisted 2-Wire cables
- Data distance up to 1000m
- PoE distance up to 500m
- Max. 95Mbps Bandwidth (270Mbps between Intercoax 2 series models)
- 10/100 Full Duplex
- 128bit AES network encryption
- Supports Multi-connection (Daisy chain, Ring, Star, etc.)
- PoE, PoE+, Extra PoE (Max. 60W output)
- Quality LED (Data, Power, Link, PoE)
- Plug & Play
- Support PoE+ Input (25.5W) from PSE devices - SVETP-2601R Only
- Slim design

Performance chart



Connection Diagram



- Transmission distance may vary depending on the type and quality of cable, use of power and environmental condition.
- Distance is based on Cat.5e(1 Pair) cable and 7 Watt IP Camera.